

**AN-730CJP**  
 **AN-730ORBJP**

**AN-730BNJP**

**MATCO**  
**NORCA**<sup>TM</sup>

## **Single Handle Tub & Shower Trim Kit**

# Product Spec Sheet



### **FEATURES & BENEFITS**

- Metal Lever Handle
- Metal Shower Arm And Shower Flange
- With Metal Slip On Tub Spout
- With Single Function Shower Head
- Spout: Minimum Flow Rate 2.4GPM(9.0L/Min) At 20PSI
- Showerhead: Max Flow Rate 1.8GPM(6.8L/Min) At 80PSI

AN-730CJP  
Chrome Finish

AN-730BNJP  
Brushed Nickel Finish

AN-730ORBJP  
Oil Rubbed Bronze Finish

### **Approvals:**

Meets or Exceeds The Following:

- \* ASME A112.18.1/CSA B125.1
- \* IAPMO/cUPC
- \* EPA WaterSense



**TEL:** 800-431-2082

**FAX:** 800-640-2252

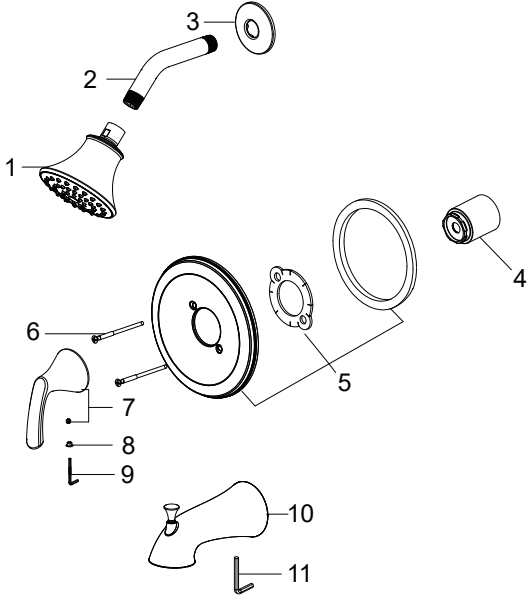
Visit Our Web Site : [www.matco-norca.com](http://www.matco-norca.com)

**AN-730CJP**  
 **AN-730ORBJP**

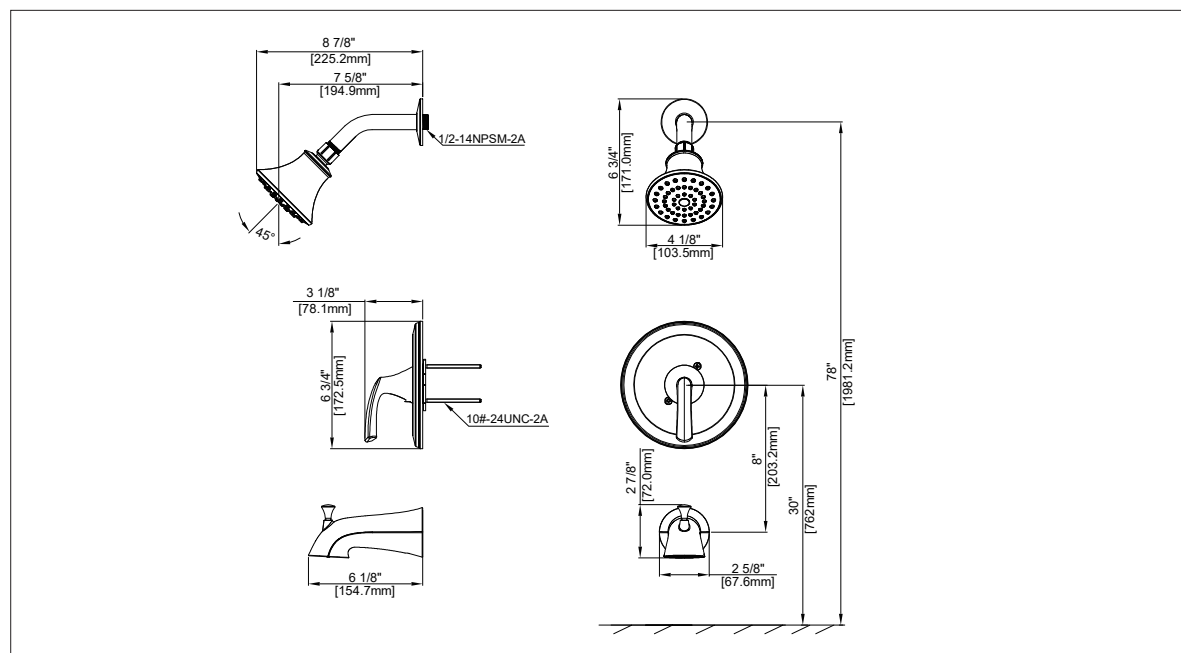
**AN-730BNJP**

## Single Handle Tub & Shower Trim Kit

No.	Name	Part No.
1	Shower head / <i>Cabezal de la ducha</i>	RP38335*
2	Shower arm / <i>Brazo de la ducha</i>	RP38019*
3	Shower flange / <i>Brida de la ducha</i>	RP38046*
4	Sleeve / <i>Funda</i>	RP80624*
5	Escutcheon / <i>Placa protectora</i>	RP80610*
6	Escutcheon screw / <i>Tornillo de la placa protectora</i>	RP50197*
7	Handle / <i>Llave</i>	RP13541*
8	Index / <i>Índice</i>	RP10073
9	Hex Allen Wrench / <i>Hex Llave Allen</i>	RP70221
10	Spout / <i>Caño</i>	RP33080*
11	Hex Allen Wrench / <i>Hex Llave Allen</i>	RP70345



\* Specify Finish  
 \* Especifique el Acabado



**Product Spec Sheet**